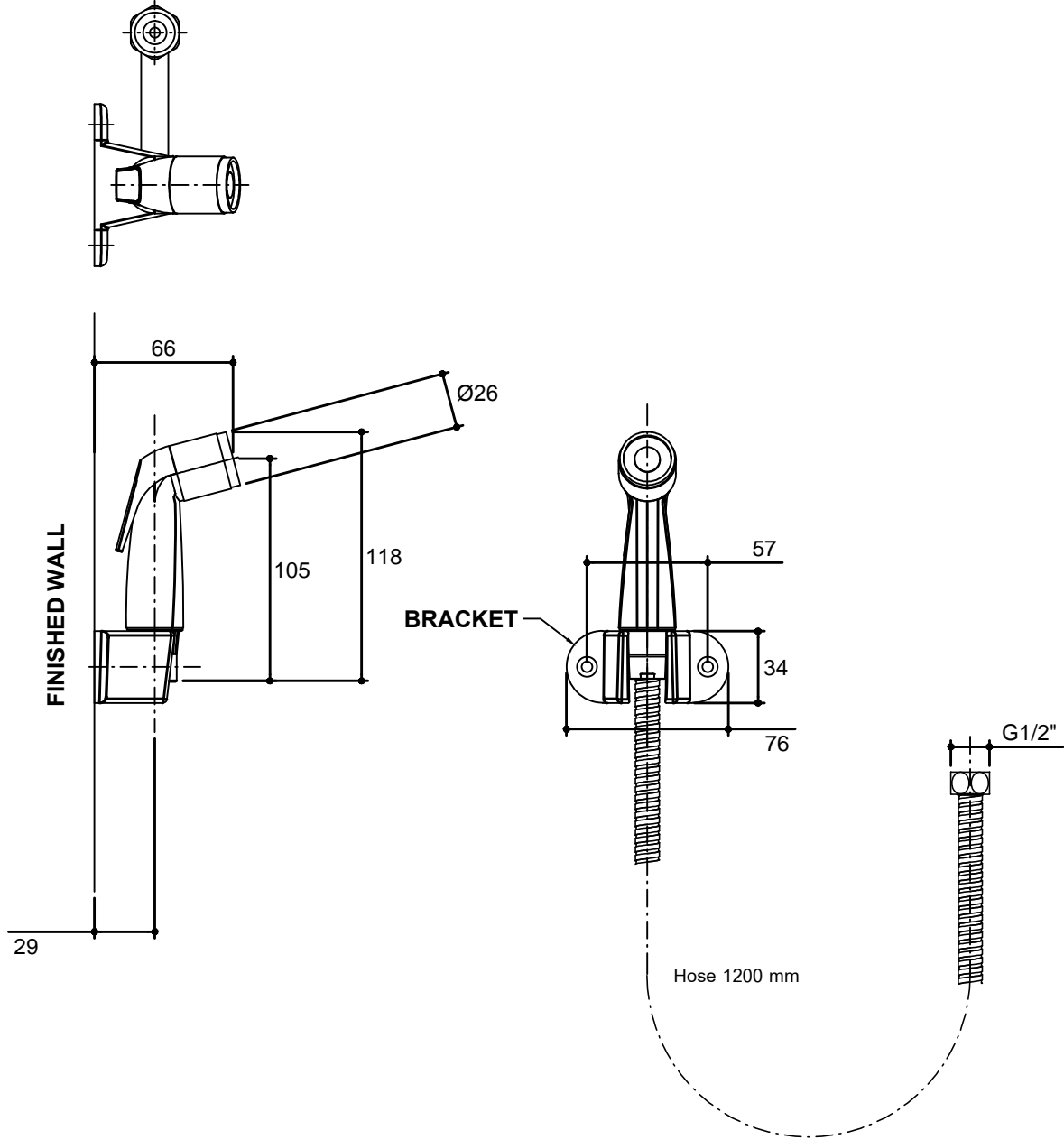


Dimensions are approximate

Unit: mm



Product Diagram 5419X-CP