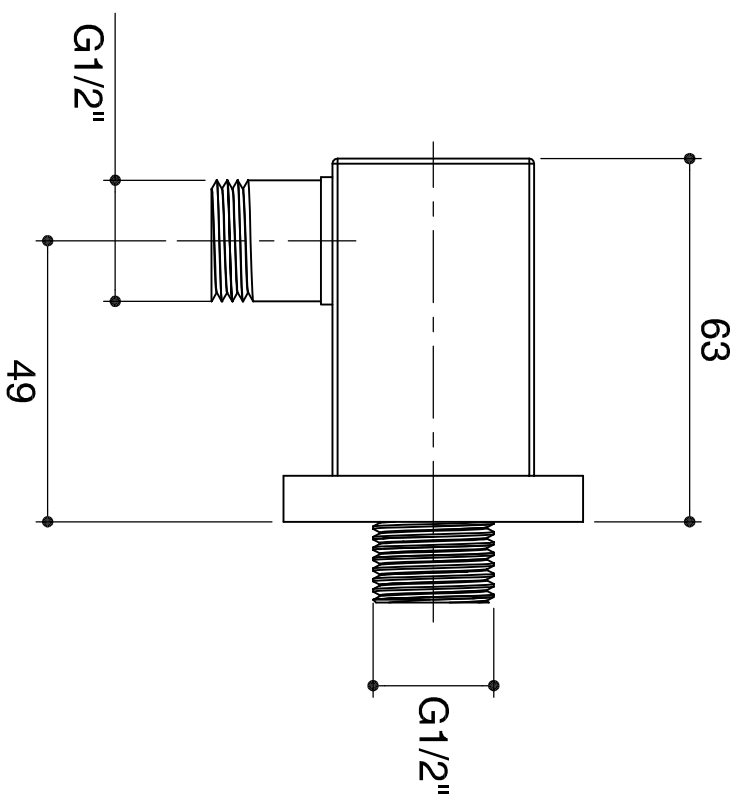
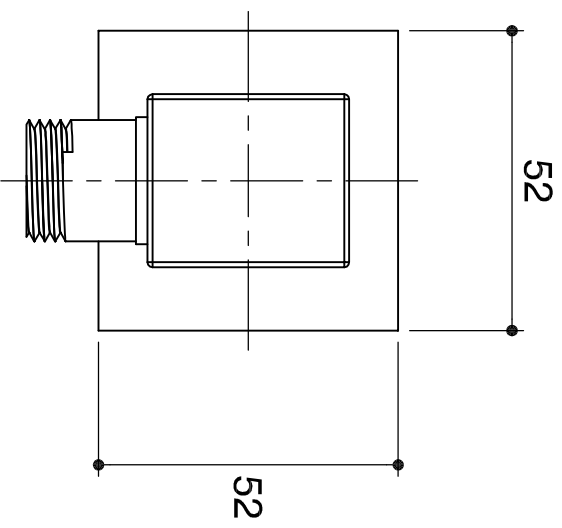


Dimensions are approximate

Unit: mm



**Product Diagram 99089X-cp**